



**PGT**<sup>®</sup> | ARCHITECTURAL  
SYSTEMS  
*Visibly Better.*

# YOUR SINGLE SOURCE FOR HIGH PERFORMANCE

CONDO  
HOTEL  
RETAIL  
OFFICE  
EDUCATION  
HEALTHCARE  
STOREFRONT

NEW CONSTRUCTION  
REMODEL  
REPLACEMENT

Since PGT® was founded in 1980, we have done our best to give customers what they want. To give them consistent quality. To give them innovation. To give them outstanding service and support. These are the things PGT is known for today.

The PGT Architectural Systems Series was developed to serve the needs of those customers in the commercial and residential high-rise window and door market.



Seybold Pointe  
Miami, Florida

# WINDOWS AND DOORS

Robust products engineered and built to your specifications.

We custom build our Architectural Systems products, so you get exactly what you need. No matter how demanding your project. That kind of flexibility comes in handy during new construction, remodeling, replacement projects, and historical restorations.

Choose from a wide variety of configurations, frame colors, glass types and hardware. Enhance any design. Compliment any style. Rest assured you are up to code. Architectural Systems windows and doors stand up to some of the most aggressive design pressures. Our paint finishes are AAMA 2603, 2604 and 2605 compliant, with warranties up to 20 years.

Strength and beauty.  
To protect people and designs.

Design pressure is not compromised for size because of our quality engineering practices. We meet some of the highest design loads (up to +/-165 psf) with the tested sizing options you need. Meeting the highest design standards also means unparalleled protection against water intrusion. We pass the

tough testing requirements for Miami-Dade NOAs, AAMA and ASTM, and our storefront entrances meet ADA requirements. We meet the building codes you will have to comply with when installing new windows or doors.

And then there's beauty. Architectural Systems windows and doors are aesthetically pleasing. The products' sightlines are narrow so you have clear, unobstructed views. We allow you to fill bigger openings with fewer windows because our offering is tested to large sizes. We have hidden all fasteners and screws to enhance the sleek, sophisticated design of these windows and doors.

The materials and craftsmanship found in Architectural Systems protect in other ways too. They protect against intruders, since impact-resistant glass and heavy-duty frames are as resistant to vandals as they are to hurricane debris. They reduce noise, keeping outside sounds out and serenity in. They protect against UV rays, filtering out up to 99 percent of those rays to keep drapes, rugs and furniture looking new. Glass options and Low-E coatings offer additional protection and energy efficiency.



City of Venice Fire Station 3  
N. Venice, Florida

“When it went up for a vote among our condo board, it was unanimous to go with PGT®. The aesthetics of this product are great because it doesn’t have large frames and mullions that block ocean views. And during the replacement process, we did not experience any trauma to the openings or interiors. We’ve had a great experience overall.” – Mike Shiels, Resident Manager, The Carlysle



The Carlysle  
Naples, Florida



## Easy to install. Easy to maintain.

Architectural Systems windows and doors feature fewer components to reduce installation time. They also have strong frames - from 3 inches on the windows and up to 6 inches on the sliding glass door - to eliminate common damage during installation or when attaching hardware. They are designed to be installed easily, without damaging openings, exteriors or interiors.

Our commercial storefront products are factory glazed and fabricated. There is no need to manage troublesome job site issues of weather, debris and time crunches when trying to glaze a product because we do it for you.

Service is simple, should the product need cleaning, maintenance or even replacement. Exterior panes, track inserts and more can all be accessed or removed from the inside, eliminating the hassle of reaching the building’s windows from the outside.

Phillippi Landings  
Condominiums  
Sarasota, Florida





## Dedicated project management.

Each Architectural Systems window and door comes with a PGT expert, dedicated to you. This is your single point of contact for service before, during and after the sale. For any questions or issues, including engineering and technical assistance, count on them to configure and price products for your unique job requirements, and to make sure the final product is delivered complete and on-time.



Biltmore Hotel  
Coral Gables, Florida

“I wish to commend PGT Industries for an excellent manufactured product...These quality manufactured openings meet both the present code wind load requirements and the Federal Historic Landmark requirements.” – Jack Dronzek, Director of Construction, Seaway Group for the Biltmore Hotel

High-performance, commercial products – to fit your unitized curtain wall needs.

The Architectural Systems line includes everything from single hung, picture and horizontal roller windows, sliding glass doors, terrace doors, window wall systems, storefront entrance doors, and curtain walls. PGT® has partnered with ASI Limited, a curtain wall industry leader, to meet a wide variety of unitized curtain wall needs. Through this joint venture, you can rely on us for engineering, quoting, project management, manufacturing and installation on curtain wall projects. When you do everything through PGT, you save money, keep more control, and gain the versatility to meet any design challenge.



Hyatt Regency  
Sarasota, Florida



# WINDOW REPLACEMENT CONSIDERATIONS

## IMPACT, AIR & WATER

Tested to meet highest design loads, air and water infiltration standards, including Miami-Dade, AAMA, ASTM and the Florida Building Code.

## INTERLAYERS & COATINGS

Laminated and the highest performing interlayers on the market for full protection – DuPont™ SentryGlas® Plus (SGP), Polyvinyl Butyral (PVB) and Vanceva by Solutia (VS).

## DESIGN PRESSURE

Up to +165/-165 design pressure rating, the highest in the industry.

## FRAME MATERIAL & DEPTH

Strongest aluminum frames available to prevent bending during installation or rattling and pulling with use. Frame depth: 3¼" up to 6".

## ENERGY SAVINGS & NOISE REDUCTION

Provide both energy savings and noise reduction through combination of thick glass options, robust frames, high performance interlayers, weatherstrips, and Low-E coatings.

## AESTHETICS

Offer a sleek, sophisticated, clean look. Views are unobstructed because we have more glass and less frame.

## CUSTOMIZATION

Fully customizable solutions. We engineer and build according to the customer's exact needs/specifications.

## WARRANTY

Will meet or exceed any other manufacturer's warranty. 10- to 20-year warranties available for paint, dependent upon the Powder Coat or Liquid Paint option chosen.

## INSTALLATION

Designed to be easily installed, without damaging openings, exteriors or interiors. Maintenance is easy because exterior frames and track inserts can be accessed or removed from the inside.

## PROJECT MANAGEMENT

Provide a dedicated PGT project manager as the single point of contact before, during, and after the sale. This ensures the order is delivered complete and on-time.

## REPUTATION

28-year old company with almost 1 million square feet of manufacturing facility in FL and NC. Known for short lead times, on-time delivery and consistent, quality service.

"We chose the Architectural Systems Sliding Glass

Door because it exceeds all of the qualifications

for condo buildings located on a beach, such as

durability, clean aesthetics and impact resistance.

We were really sold after visiting PGT headquarters

and seeing first hand their strong commitment to

quality." – Lowell Glazer, Condo Board President,

The Addison, Boca Raton, Florida



Lejeune Plaza  
Miami, Florida

# ARCHITECTURAL SYSTEMS 3500 SERIES HARDWARE

## FACTORY GLAZING

Our window wall units are fabricated, assembled and glazed in a controlled environment in order to preserve the product performance. Job site glazing can be a very unpredictable situation with construction debris, weather, limited supplies and available work area all left up to chance. Be assured that the product you order is glazed by a professional and under the most favorable conditions. Less site preparation saves you time and money.

## EXTERNAL WET SEAL

Water intrusion affects product operation, creates unfavorable conditions for tenants and can be a service nightmare. With most common internally drained systems, a certain amount of water is allowed to infiltrate the unit, and then it is channeled back out of the unit. We have eliminated the draining system altogether with our external wet seal engineering. The unit is sealed with a wet silicone seal, backed by a Norton Tape application, and the glazing leg is filled with a structural silicone to prevent any water infiltration.



## ADA COMPLIANCE

Accessibility is crucial in a commercial environment. The locking and push/pull hardware is appropriately positioned to meet the necessary requirements. The low rise 1/2" threshold height and standard clear opening means clients, patrons and customers will be able to enter and exit easily. In addition, the door opening width, closer, opening force, handles and locks are all compliant with the Americans with Disabilities Act (ADA).

# AND FEATURE HIGHLIGHTS

## STRONG CONSTRUCTION

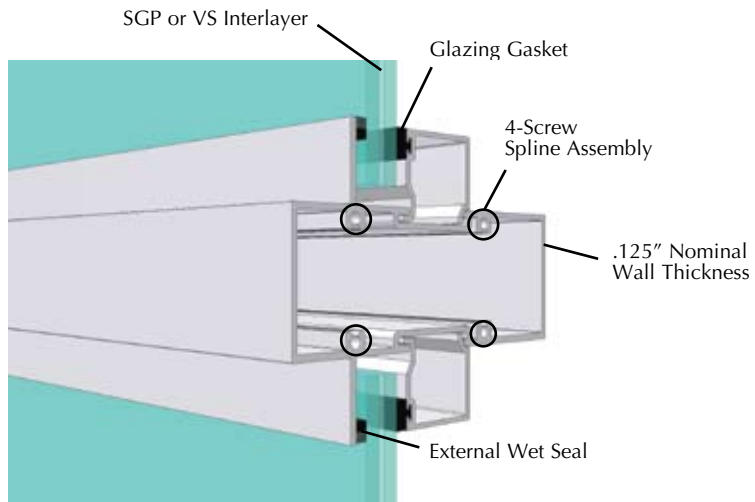
We offer solid versus stacked bottom rails and shear block construction on our storefront entrance door, and screw spline corners on the window wall system. The products carry Miami-Dade NOAs for large and small missile and water resistance up to 15 psf. We offer considerations for high-wind and coastal areas with the optional LCN4041 high-performance door closer. These products are engineered to perform, to install easily and to enhance the design construction of any commercial application.

## PLEASING DESIGN

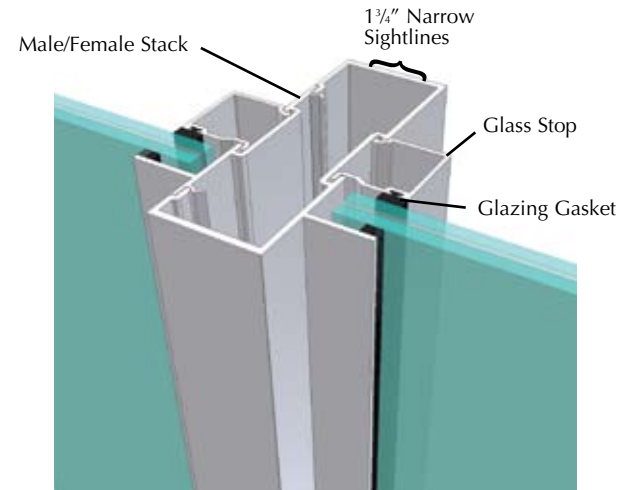
The window wall system has a frame of 1 $\frac{3}{4}$ " x 5", a competitive advantage we offer when you desire narrow sightlines. That is less than the common 2 $\frac{1}{2}$ " frames offered by many other companies. Overhead concealed closers, clear anodizing, custom paint and raised muntin options allow you the freedom to entertain your design ideas.



WS3500 HORIZONTAL JAMB



WS3500 VERTICAL JAMB



WINDOW WALL SYSTEMS



## FEATURES & BENEFITS

**NARROW SIGHTLINES**  
Increases visibility without compromising structural integrity.

**SCREW SPLINE ASSEMBLY**  
Unparalleled strength in the horizontal and vertical assembly. Four #12 x 1½" PHSMS fasteners are used on each corner.

**FACTORY PREPARATION**  
Products are fabricated, assembled and glazed in climate controlled conditions within the factory. Eliminates job site labor and unfavorable concerns due to debris and improper glazing.

**EXTERNAL WET SEAL**  
Glazing gasket and Norton tape, together with an internal structural silicone seal and external wet seal, eliminates the worry of uncontrolled water infiltration.

**MALE & FEMALE FRAME OPTION**  
Eliminates the need for mulls and clips. Vertical and horizontal preparation allows you to stack units next to each other, reducing installation costs because there are fewer components.

# 3500 SERIES

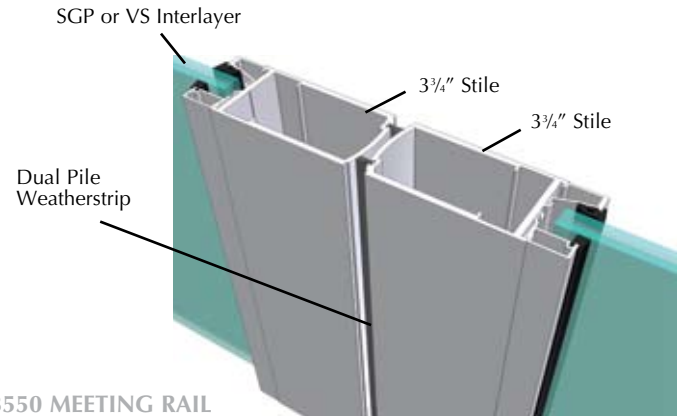
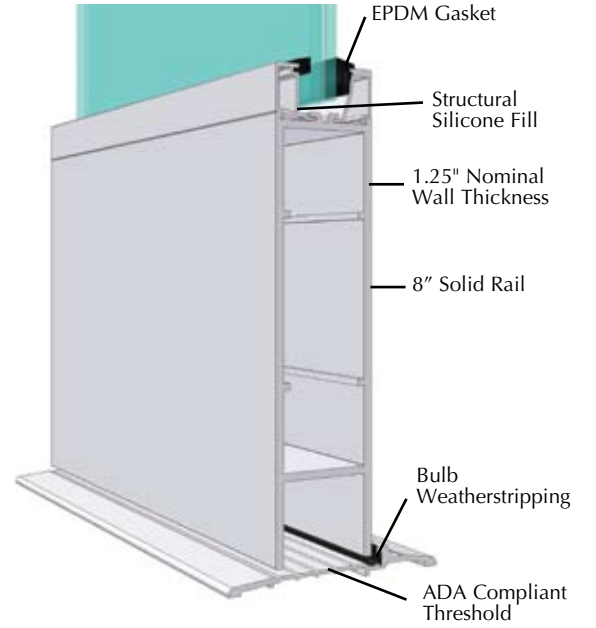
## PRODUCT SPECIFICATIONS - WS3500

TEST TYPE	FRAME TYPE & MAXIMUM SIZE	FRAME DEPTH	POSITIVE DESIGN PRESSURE	NEGATIVE DESIGN PRESSURE	WATER RESISTANCE	AIR INFILTRATION	GLAZING	TESTS COMPLETED
LARGE MISSILE	Aluminum 48" x 120" (Panel Size)	1¾" x 5"	+130	-130	19.5 psf	0.17 @ 6.24	<ul style="list-style-type: none"> <li>Interior ⅙" SGP Laminated (Heat Strengthened/Heat Strengthened)</li> <li>Interior ⅙" VS Laminated (Heat Strengthened/Heat Strengthened)</li> </ul>	<ul style="list-style-type: none"> <li>Miami-Dade NOA: 08-0620.04</li> <li>Drop Load: FBC 2004, Section 2406</li> </ul>
SMALL MISSILE	Aluminum 48" x 120" (Panel Size)	1¾" x 5"	+130	-130	19.5 psf	0.17 @ 6.24	<ul style="list-style-type: none"> <li>Interior ⅙" PVB Laminated (Tempered/Tempered)</li> </ul>	<ul style="list-style-type: none"> <li>Miami-Dade NOA: 08-0620.05</li> <li>Drop Load: FBC 2004, Section 2406</li> </ul>



# STOREFRONT ENTRANCE DOORS

ST3550 SILL



ST3550 MEETING RAIL

## FEATURES & BENEFITS

### 8" BOTTOM RAILS

Solid bottom rails vs stacked construction. Exceeds ADA compliance of 7½" height.

### SHEAR BLOCK CONSTRUCTION

Strengthened construction. The vertical stile is bolted to the top and bottom rails with shear blocks.

### ADA COMPLIANT

Meets American Disabilities Act (ADA) requirements for opening, hardware and threshold.

### WEATHERSTRIPPING

Applied around entire opening, bulb weatherstripping minimizes air infiltration. Offset pile weatherstrip between pairs of doors provides same protection.

### 3-POINT LOCKING SYSTEM

Hookbolt lock and top and bottom half-inch stainless steel secure shoot bolts.

### DOOR CLOSER OPTIONS

Available in exposed or concealed options, these high performance options are for doors larger than 7' 6" or those used in coastal and high wind areas.

### NRP HINGES

Heavy duty, stainless steel 4" x 4½" non-removable pin hinges.

### CONFIGURATION OPTIONS

Available in outswing or inswing configurations, and with or without transoms and sidelights, to give you more options.

# 3500 SERIES

## PRODUCT SPECIFICATIONS - ST3550

DOOR TYPE	TEST TYPE	FRAME TYPE & MAXIMUM SIZE	FRAME DEPTH	POSITIVE DESIGN PRESSURE	NEGATIVE DESIGN PRESSURE	AIR INFILTRATION	GLAZING	TESTS COMPLETED
OUTSWING	LARGE MISSILE	Aluminum 42" x 108" Single Door 84" x 108" Double Door	1¾" x 5" 1" x 5" w/o sidelites	+100	-100	0.28 @ 6.24	• Exterior ⅝" VS Laminated (Heat Strengthened/Heat Strengthened)	• Miami-Dade NOA: 08-0620.06 • Forced Entry Resistance: AAMA 1304
INSWING	LARGE MISSILE	Aluminum 42" x 108" Single Door 84" x 108" Double Door	1¾" x 5" 1" x 5" w/o sidelites	+100	-100	0.28 @ 6.24	• Exterior ⅝" SGP Laminated (Heat Strengthened/Heat Strengthened)	• Miami-Dade NOA: 08-0620.03 • Forced Entry Resistance: AAMA 1304

# ARCHITECTURAL SYSTEMS 3000 SERIES HARDWARE

## LAMINATED & INSULATING GLASS

PGT integrates the highest performance laminated and insulating glass materials to protect against impacts and natural disasters, and to improve safety, security, sound reduction and energy efficiency. Stronger than conventional laminating materials, our products offer the DuPont™ SentryGlas® Plus (SGP), Polyvinyl Butyral (PVB) or Vanceva (VS) interlayer. While preserving the aesthetics of the glass, these interlayers are an engineered component within the glass, holding more weight, so the glass can serve as a more active structural element in the building envelope.



## NARROW SIGHTLINES FOR GREATER VIEWS

Most people buy a condo or stay in a particular hotel for the property's stunning views. Our windows and doors improve a room's view because they have narrow sightlines and because they are tested to perform at greater sizes, allowing us to use one window where there would typically be two or three. Fill bigger openings with a smaller number of windows to enhance the building's exterior.

## STANDARD & CUSTOM PAINT CHOICES

The paints available for your windows and doors will look great and provide unparalleled resistance to the elements. Select from a palette of standard or custom colors. The Indurall® Powder Coat System is resistant to chipping, scratching and fading, and have AAMA 2603, 2604 and 2605 ratings. PPG's Duranar® Liquid Paint provides excellent weathering performance and long-term durability and exceed AAMA 2605 specifications.

## HIGH-QUALITY, STYLISH HANDLES

Interior and exterior pull handles on the sliding glass door provide smooth pulling and easy operation. They have a stylish curve design to enhance the overall look of the door. Opening and

closing the door is an effortless task, instead of causing pull resistance or harm to fingers. The terrace door has seven different finish options for the standard locking hardware, so there is a style suited for every taste. Or select among the custom latch lock options with security deadbolts available from Hi-Line.



# AND FEATURE HIGHLIGHTS



## PRIMARY & SECONDARY MULTI-POINT LOCKS

Stainless steel, multi-point locks are a feature of our sliding glass door for increased security and performance. Using stainless steel improves the quality of the locks, while an “anti-slam” feature prevents lock hooks from being damaged when doors are commonly closed while the lock is extended. A secondary lockset is situated higher on the door to prevent children from being able to unlock and open the door.

## ADVANCED WEATHERSTRIP

PGT integrates high-grade foam filled weatherstrips for enhanced durability. We offer a redundancy of three weatherstrips to eliminate noise and air infiltration. To increase their life and resilience, our weatherstrips are not exposed externally, as is common on many windows and doors.

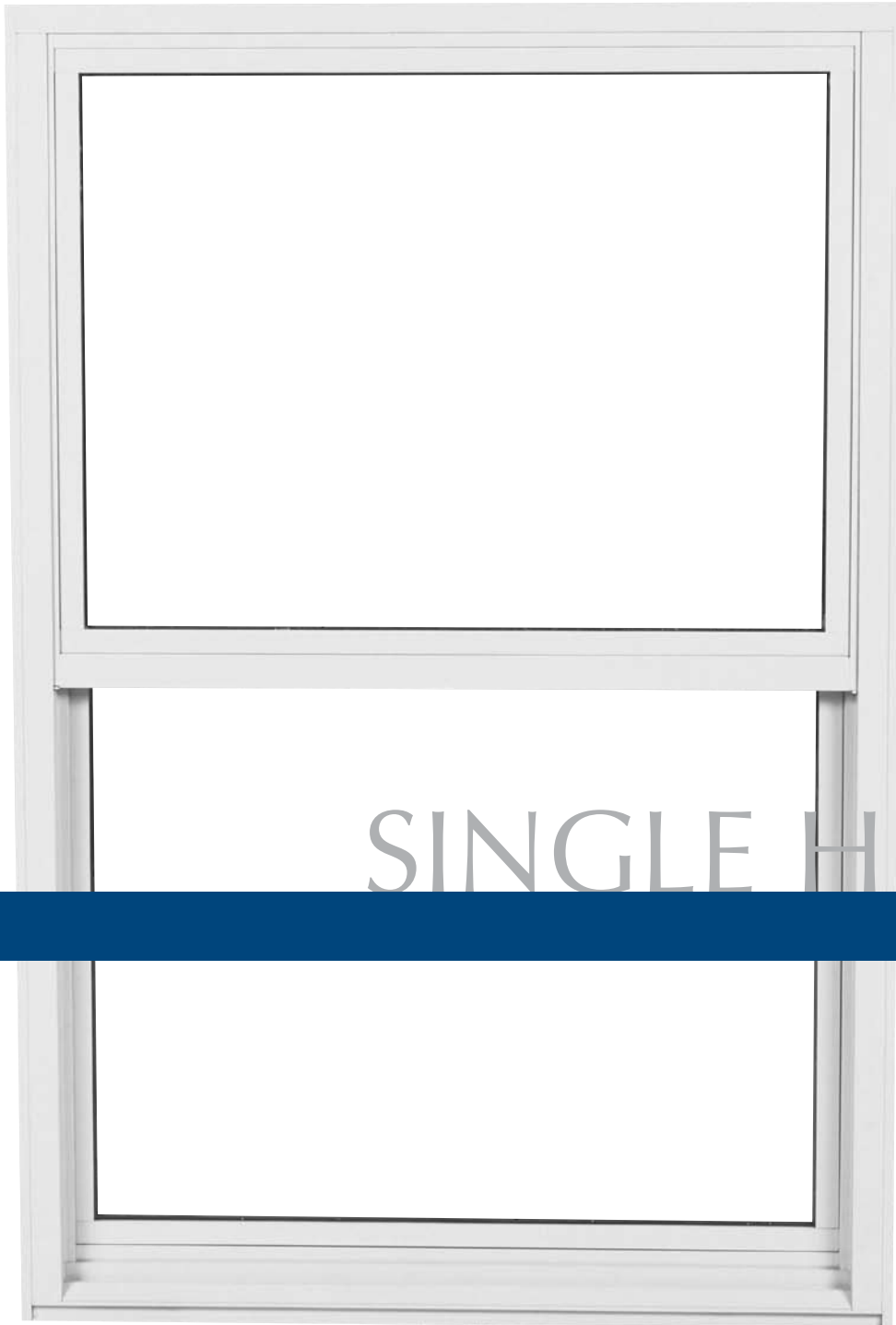
## STAINLESS STEEL TANDEM ROLLER

Count on smooth, stable and quiet operation of your sliding glass door due to our stainless steel tandem rollers. Both the wheels and housing are stainless steel and precisely formed to ride smoothly on the door’s aluminum track. Smooth operation results in less noise and resistance each time the door is opened and closed.

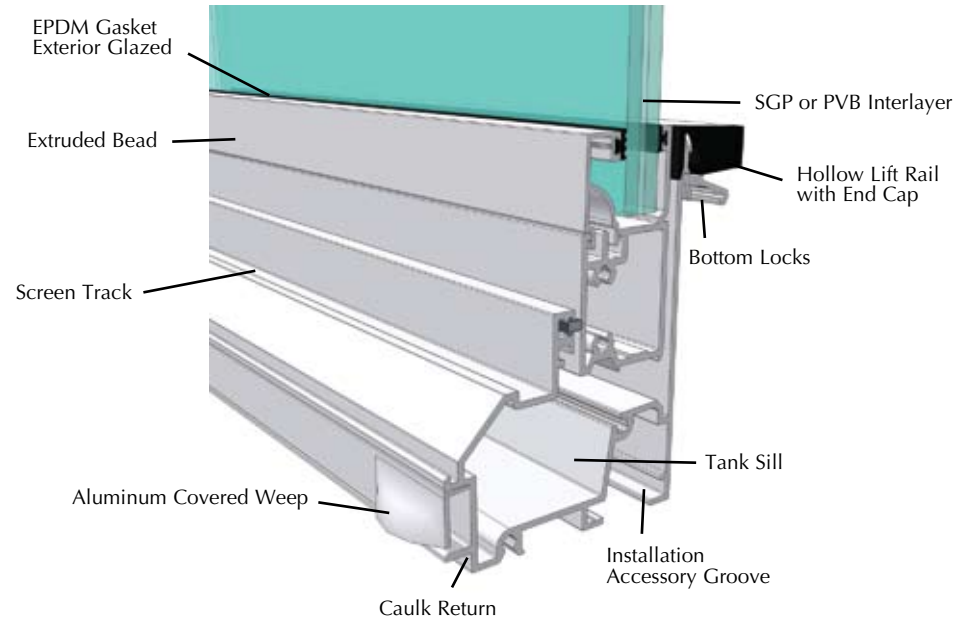


## HIDDEN FASTENERS

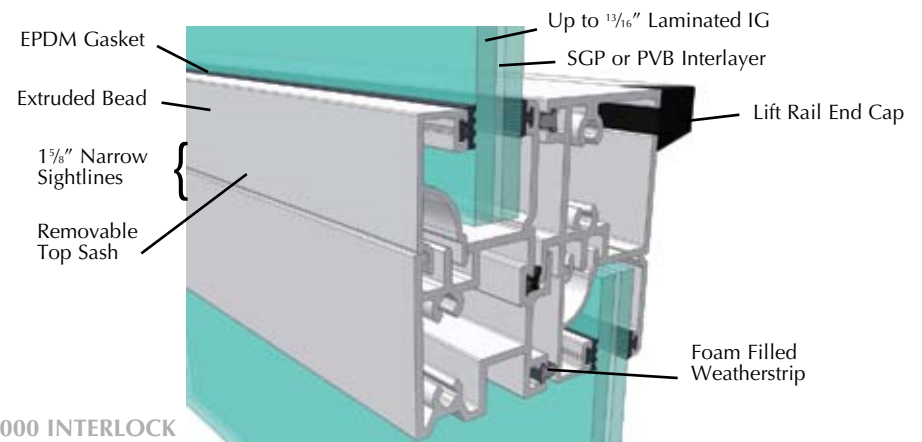
We have hidden all stainless steel, corrosion-resistant fasteners so all you see is sleek, clean windows and doors - and no unattractive screws. This is just one more reason Architectural Systems products are so aesthetically pleasing.



SH3000 SILL



# SINGLE HUNG WINDOWS



SH3000 INTERLOCK

## FEATURES & BENEFITS

**MALE & FEMALE JAMBS OPTION**  
Eliminates the need for mulls and clips, units can stack next to each other. Reduces installation costs because there are fewer components.

**TANK SILL DESIGN**  
Strengthens water performance. Improves aesthetics with attractive design and concealed weatherstrip.

**HOLLOW LIFT RAIL**  
Substantial extruded aluminum rail versus flimsy flange. Black plastic lift rail caps eliminate exposed aluminum and provide a finished look.

**REMOVABLE TOP SASH**  
Improves serviceability. Top sash can be removed for service or maintenance.

**HIDDEN WEEP HOLES**  
Extruded aluminum is color matched to product to blend into frame. There is no visible plastic on the exterior that will fade and crack.

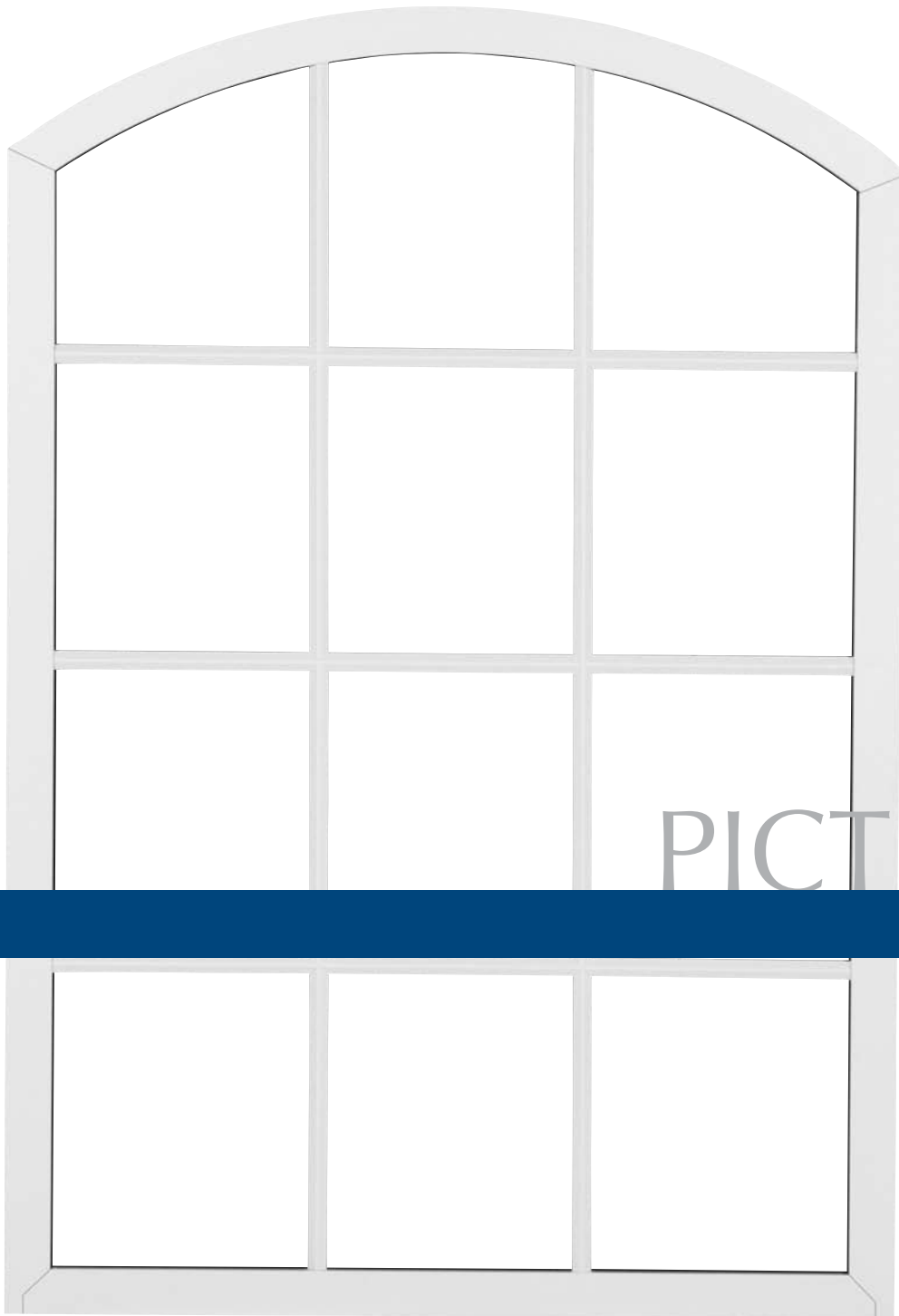
**CLASS 5 SPIRAL BALANCES**  
Increases operating force. Balance carries 70% of sash weight. Easily adjustable for service.

**UP TO 1<sup>3</sup>/<sub>16</sub>" LAMINATED INSULATING GLASS**  
Expands design and energy options.

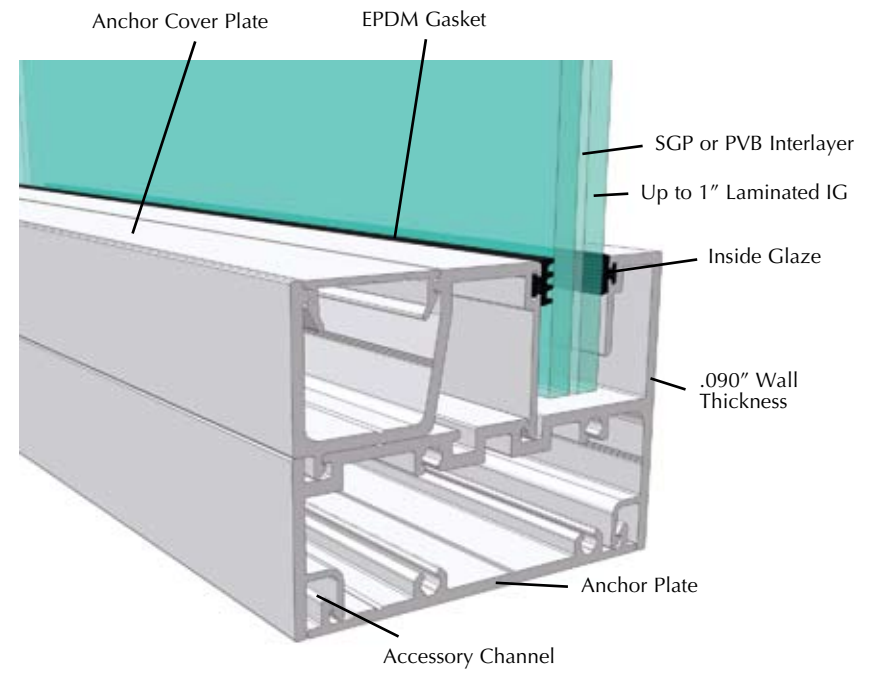
# 3000 SERIES

## PRODUCT SPECIFICATIONS - SH3000

TEST TYPE	FRAME TYPE & MAXIMUM SIZE	FRAME DEPTH	POSITIVE DESIGN PRESSURE	NEGATIVE DESIGN PRESSURE	WATER RESISTANCE	AIR INFILTRATION	GLAZING	TESTS COMPLETED
LARGE MISSILE	FLANGE: 57 <sup>1</sup> / <sub>2</sub> " x 92 <sup>1</sup> / <sub>2</sub> " EQUAL LEG: 56" x 91"	3 <sup>1</sup> / <sub>4</sub> "	+110	-120	16.5 psf	0.02 @ 1.57 0.21 @ 6.24	<ul style="list-style-type: none"> <li>• 7<sup>1</sup>/<sub>16</sub>" SGP Laminated (Heat Strengthened/Heat Strengthened)</li> <li>• Up to 1<sup>3</sup>/<sub>16</sub>" Laminated Insulating Glass</li> </ul>	<ul style="list-style-type: none"> <li>• Miami-Dade NOA: 07-0905.02</li> <li>• Forced Entry Resistance: ASTM F 588-97</li> <li>• Florida Product Approval: FL-239</li> </ul>
SMALL MISSILE	FLANGE: 57 <sup>1</sup> / <sub>2</sub> " x 92 <sup>1</sup> / <sub>2</sub> " EQUAL LEG: 56" x 91"	3 <sup>1</sup> / <sub>4</sub> "	+110	-165	16.5 psf	0.02 @ 1.57 0.20 @ 6.24	<ul style="list-style-type: none"> <li>• 7<sup>1</sup>/<sub>16</sub>" PVB Laminated (Tempered/Tempered)</li> <li>• Up to 1<sup>3</sup>/<sub>16</sub>" Laminated Insulating Glass</li> </ul>	<ul style="list-style-type: none"> <li>• Miami-Dade NOA: 07-0905.03</li> <li>• Forced Entry Resistance: ASTM F 588-97</li> <li>• Florida Product Approval: FL-239</li> </ul>



PW3020 SILL



PICTURE WINDOWS

## FEATURES & BENEFITS

### INSIDE GLAZED

Simplified serviceability. Glass and bead can be replaced from inside the building.

### MALE & FEMALE FRAME OPTION

Eliminates the need for mulls and clips. Vertical and horizontal preparation allows you to stack units next to each other, reducing installation costs because there are fewer components.

### UP TO 1" LAMINATED INSULATING GLASS

Expands design and energy options.

### DOUBLE APPLIED MUNTINS

Aesthetic option. Customize product to meet historical or building requirements. Available with grids between glass on insulated units.

### MARINE GLAZING BEAD AESTHETICS

Resist fading or shrinking. High quality EPDM glazing gasket.

### ACCESSORY CHANNEL

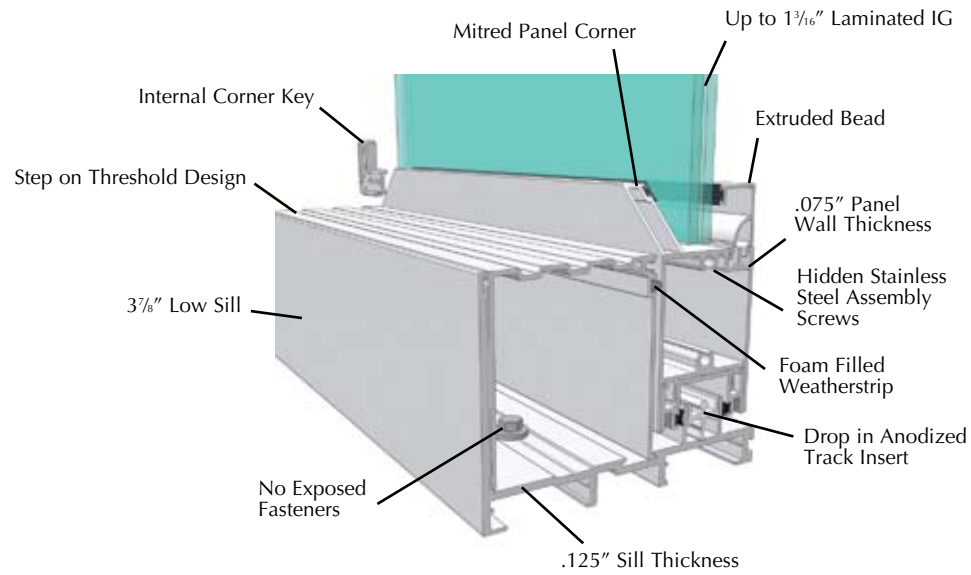
Extruded aluminum groove receives anchor plate or accessory options to ensure snug installation.

# 3000 SERIES

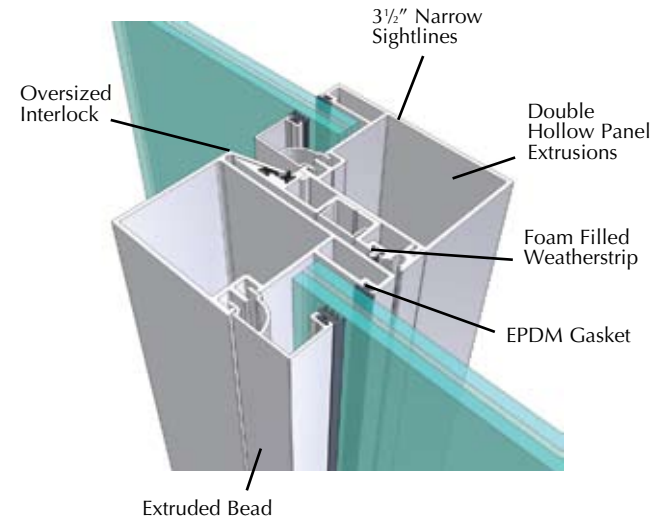
## PRODUCT SPECIFICATIONS - PW3020

TEST TYPE	FRAME TYPE & MAXIMUM SIZE	FRAME DEPTH	POSITIVE DESIGN PRESSURE	NEGATIVE DESIGN PRESSURE	WATER RESISTANCE	AIR INFILTRATION	GLAZING	TESTS COMPLETED
LARGE MISSILE	FLANGE: 49½" x 121½" or 75½" x 79½" EQUAL LEG: 48" x 120" or 74" x 78"	3¼"	+130	-130	19.5 psf	<0.01 @ 1.57 <0.01 @ 6.24	<ul style="list-style-type: none"> <li>• ⅜" SGP Laminated (Heat Strengthened/Heat Strengthened)</li> <li>• Up to 1" Laminated Insulating Glass</li> </ul>	<ul style="list-style-type: none"> <li>• Miami-Dade NOA: 07-0613.02</li> <li>• Forced Entry Resistance: ASTM F 842-97</li> <li>• Florida Product Approval: FL-243</li> </ul>
SMALL MISSILE	FLANGE: 49½" x 121½" or 75½" x 79½" EQUAL LEG: 48" x 120" or 74" x 78"	3¼"	+165	-165	24.75 psf	<0.01 @ 1.57 <0.01 @ 6.24	<ul style="list-style-type: none"> <li>• ⅜" PVB Laminated (Tempered/Tempered)</li> <li>• Up to 1" Laminated Insulating Glass</li> </ul>	<ul style="list-style-type: none"> <li>• Miami-Dade NOA: Pending</li> <li>• Forced Entry Resistance: ASTM F 842-97</li> <li>• Florida Product Approval: FL-243</li> </ul>

### SGD3030 SILL



### SGD3030 INTERLOCK



## FEATURES & BENEFITS

### STAINLESS STEEL TANDEM ROLLER WITH HIGH PERFORMANCE DOUBLE SEALED BEARINGS

Resists corrosion in coastal environments because the large diameter roller with double sealing extends bearing life. Stainless steel provides smooth, stable and quiet operation.

### 37/6" THRESHOLD WITH 18 PSF WATER RESISTANCE

Superior water performance with the lowest threshold in the commercial product industry. Durable sill with treading is designed to be stepped on versus stepped over.

### NARROW SIGHTLINES

Increases visibility without compromising structural integrity.

### UP TO 1 3/16" LAMINATED INSULATING GLASS

Expands design and energy options.

### 3/4" NOMINAL WALL THICKNESS

Provides strength and ease of installation.

### DOUBLE RAISED MUNTIN OPTIONS

Aesthetic option. Double hollow panel extrusions provide strength and extended design capabilities. Customize product to meet historical or building requirements. Available with grids between glass.

### DROP-IN ANODIZED TRACK INSERT

Covered fasteners and installation screws. Track can be easily replaced/serviced if damaged.

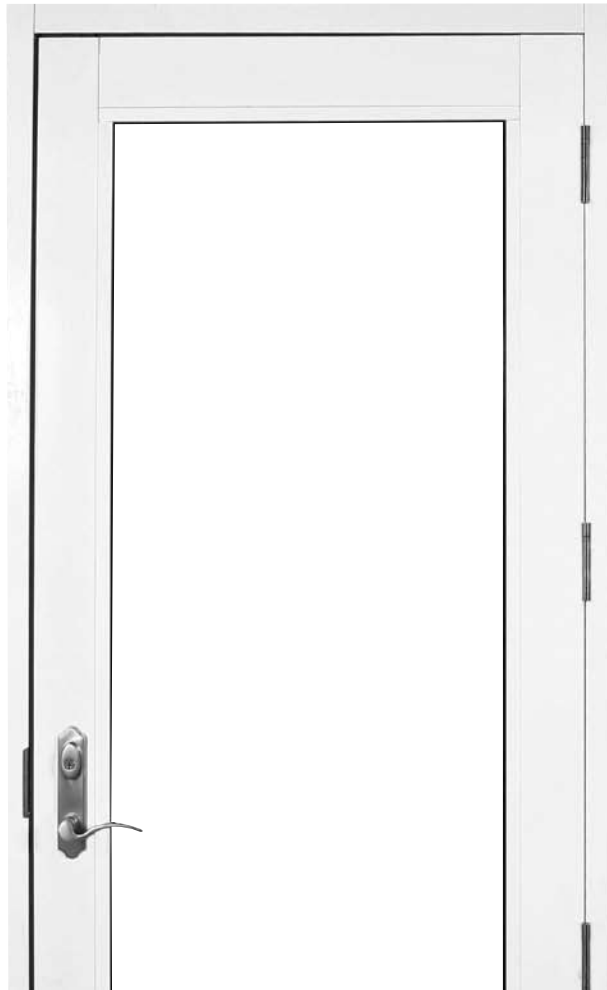
### EXTERIOR INTEGRAL HANDLE OPTIONS

Expands design options. Opening/closing door is smooth and effortless.

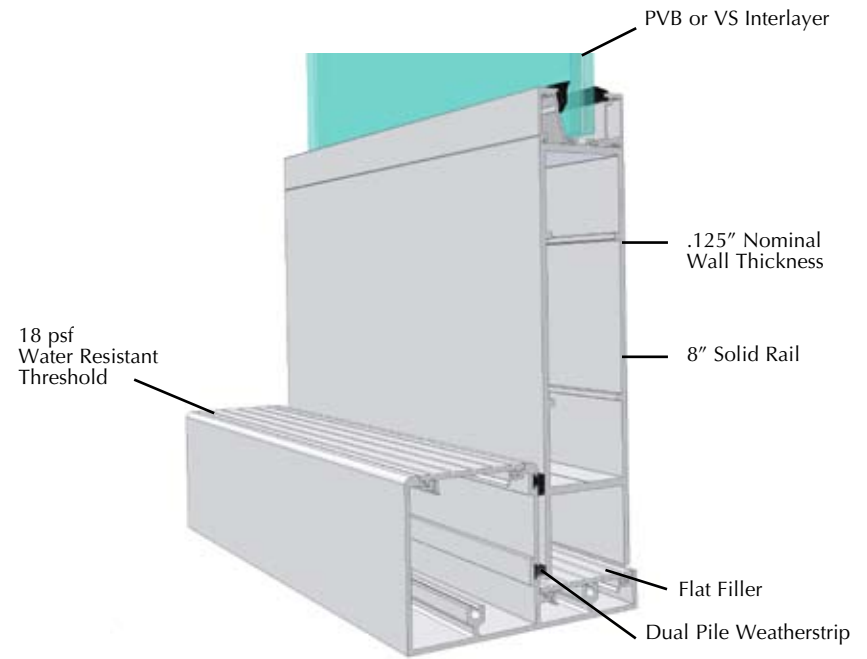
# 3000 SERIES

## PRODUCT SPECIFICATIONS - SGD3030

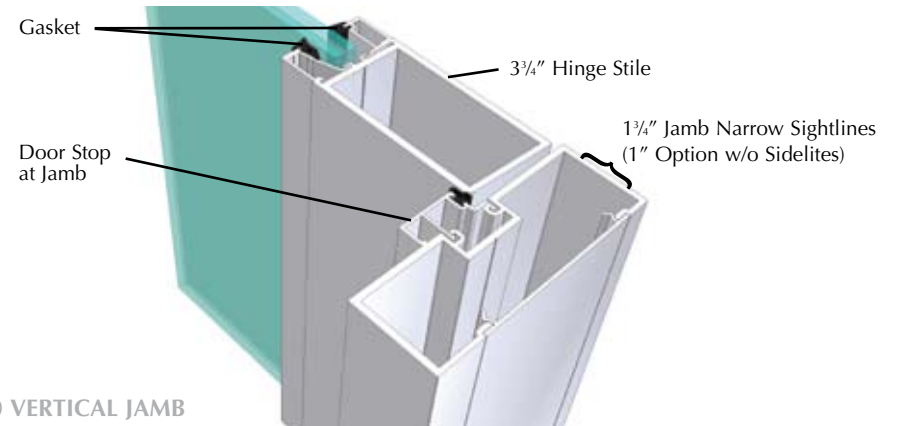
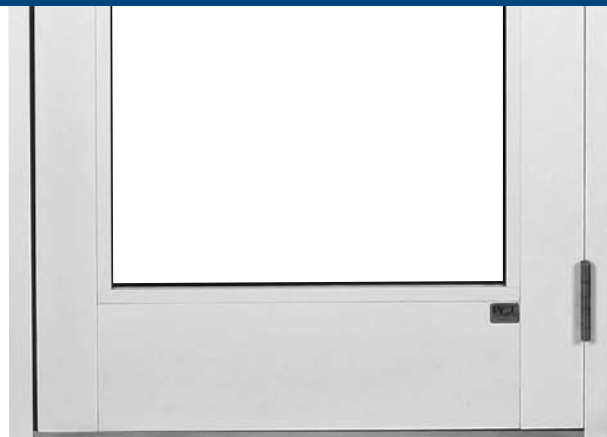
TEST TYPE	FRAME TYPE & MAXIMUM SIZE	FRAME DEPTH	POSITIVE DESIGN PRESSURE	NEGATIVE DESIGN PRESSURE	WATER RESISTANCE	AIR INFILTRATION	GLAZING	TESTS COMPLETED
LARGE MISSILE	OX or XO: 96" x 120" or 120" x 108" OXO: 145 1/16" x 120" OXXO: 190 7/16" x 120"	5 7/16"	+120	-120	18.0 psf	OXXO: 0.03 @ 1.57 XO: 0.02 @ 1.57	<ul style="list-style-type: none"> <li>• 1/16" SGP Laminated (Heat Strengthened/Heat Strengthened)</li> <li>• Up to 1 3/16" Laminated Insulating Glass</li> </ul>	<ul style="list-style-type: none"> <li>• Miami-Dade NOA: 07-0831.09</li> <li>• Forced Entry Resistance: ASTM F 842-97</li> <li>• Florida Product Approval: FL-251</li> </ul>
SMALL MISSILE	OX or XO: 96" x 120" or 120" x 108" OXO: 145 1/16" x 120" OXXO: 190 7/16" x 120"	5 7/16"	+165	-165	24.75 psf	OXXO: 0.05 @ 1.57 XO: 0.06 @ 1.57	<ul style="list-style-type: none"> <li>• 1/16" SGP Laminated (Heat Strengthened/Heat Strengthened)</li> <li>• Up to 1 3/16" Laminated Insulating Glass</li> </ul>	<ul style="list-style-type: none"> <li>• Miami-Dade NOA: 07-0905.04</li> <li>• Forced Entry Resistance: ASTM F 842-97</li> <li>• Florida Product Approval: FL-251</li> </ul>



TER3050 SILL



# TERRACE DOORS



TER3050 VERTICAL JAMB

## FEATURES & BENEFITS

**NON-REMOVEABLE GLASS BEAD**  
Positioned on the interior, this provides superior impact resistance.

**8" BOTTOM RAILS**  
Solid bottom rails versus stacked construction. Exceeds ADA compliance of 7½" height.

**NARROW SIGHTLINES**  
Increases visibility without compromising structural integrity. 1¾" x 5" and 1" x 5" options available.

**SHEAR BLOCK CONSTRUCTION**  
Strengthened construction. The vertical stile is bolted to the top and bottom rails with shear blocks.

**WEATHERSTRIPPING**  
Applied around entire opening, bulb weatherstripping minimizes air infiltration. Dual weatherstripping on threshold provides superior protection against uncontrolled water infiltration.

**DOOR CLOSER OPTIONS**  
Available in exposed or concealed options, these high performance options are for doors larger than 7' 6" or those used in coastal and high wind areas.

**NRP HINGES**  
Heavy duty, stainless steel 4" x 4½" non-removable pin hinges. Are not visible from the interior.

**4-POINT LOCKING SYSTEM**  
Stainless steel latch lock paired with security deadbolt and top and bottom half-inch stainless steel secure shoot bolts.

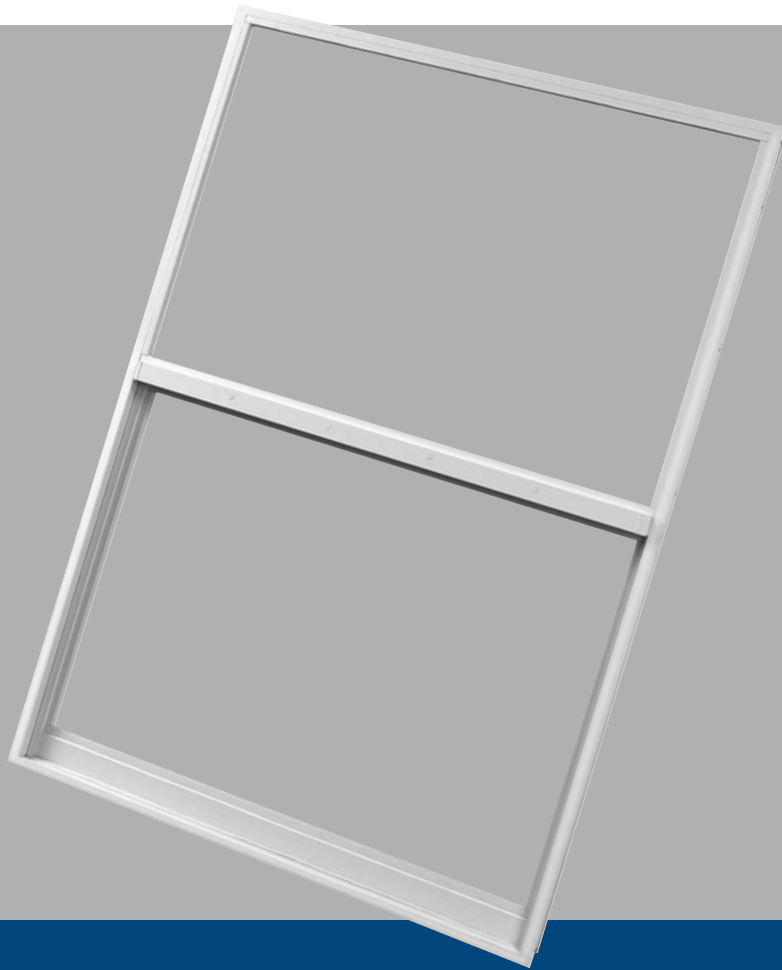
**HARDWARE**  
Solid brass handle available in seven different finishes.

# 3000 SERIES

## PRODUCT SPECIFICATIONS - TER3050

TEST TYPE	FRAME TYPE & MAXIMUM SIZE	FRAME DEPTH	POSITIVE DESIGN PRESSURE	NEGATIVE DESIGN PRESSURE	AIR INFILTRATION	GLAZING	TESTS COMPLETED
LARGE MISSILE	Aluminum 42" x 108"	1¾" x 5" 1" x 5" w/o sidelites	+100	-100	0.27 @ 6.24	• Exterior ⅜" VS Laminated (Heat Strengthened/Heat Strengthened)	• Miami-Dade NOA: 08-0620.01 • Forced Entry Resistance: AAMA 1304
SMALL MISSILE	Aluminum 42" x 108"	1¾" x 5" 1" x 5" w/o sidelites	+120	-120	0.29 @ 6.24	• Exterior ⅜" PVB Laminated (Heat Strengthened/Heat Strengthened)	• Miami-Dade NOA: 08-0620.02 • Forced Entry Resistance: AAMA 1304

# SINGLE HUNG WINDOWS 800 SERIES



## FEATURES & BENEFITS

- Dual lift rail for ease of operation
- Die cast sash lock for strength and security
- Weep slots for efficient water drainage
- Rigid vinyl reinforcing wind clips for greater strength and wind rattle reduction
- 2¾" nominal frame depth
- Bottom sill locks available for egress
- Available with limited travel sash stop

## PRODUCT SPECIFICATIONS - SH800

TEST TYPE	FRAME TYPE & MAXIMUM SIZE	FRAME DEPTH	POSITIVE DESIGN PRESSURE	NEGATIVE DESIGN PRESSURE	WATER RESISTANCE	AIR INFILTRATION	GLAZING	TESTS COMPLETED
LARGE MISSILE	FLANGE: 53⅛" x 76"	2¾"	+90	-110	13.5 psf	0.08 @ 1.57	• 7/16" SGP Laminated (Heat Strengthened/Heat Strengthened)	• Miami-Dade NOA: 07-0801.03 • Forced Entry Resistance: AAMA 1302.5
SMALL MISSILE	FLANGE: 53⅛" x 76"	2¾"	+90	-150	13.5 psf	0.17 @ 1.57	• 3/8" PVB Laminated (Annealed/Tempered)	• Miami-Dade NOA: 07-0306.11 • Florida Product Approval: FL-239 • Forced Entry Resistance: AAMA 1302.5
NON-IMPACT	FLANGE: 53⅛" x 76"	2¾"	+80	-110	12.0 psf	0.08 @ 1.57	• 3/16" Monolithic (Tempered) • 1/4" Monolithic (Tempered)	• Florida Product Approval: FL-9644.1

# HORIZONTAL ROLLER WINDOWS 800 SERIES

## FEATURES & BENEFITS

- Brass tandem rollers for dependable long-life operation
- XO or OX configurations
- Egress connector bar provides single-step operation
- Die cast sash lock for strength and security
- 2¾" nominal frame depth
- Weep slots for efficient water drainage

## PRODUCT SPECIFICATIONS - HR810

TEST TYPE	FRAME TYPE & MAXIMUM SIZE	FRAME DEPTH	POSITIVE DESIGN PRESSURE	NEGATIVE DESIGN PRESSURE	WATER RESISTANCE	AIR INFILTRATION	GLAZING	TESTS COMPLETED
LARGE MISSILE	FLANGE: 74" x 63"	2¾"	+90	-110	13.5 psf	0.29 @ 1.57	<ul style="list-style-type: none"> <li>• 7/16" SGP Laminated (Heat Strengthened/Heat Strengthened)</li> </ul>	<ul style="list-style-type: none"> <li>• Miami-Dade NOA: 08-0408.03</li> <li>• Florida Product Approval: FL-242</li> <li>• Forced Entry Resistance: AAMA 1302.5</li> </ul>
SMALL MISSILE	FLANGE: 74" x 63"	2¾"	+90	-150	13.5 psf	0.29 @ 1.57	<ul style="list-style-type: none"> <li>• 7/16" PVB Laminated (Annealed/Annealed) or (Heat Strengthened/Heat Strengthened)</li> <li>• 7/16" SGP Laminated (Heat Strengthened/Heat Strengthened)</li> </ul>	<ul style="list-style-type: none"> <li>• Miami-Dade NOA: 07-0829.08</li> <li>• Florida Product Approval: FL-242</li> <li>• Forced Entry Resistance: AAMA 1302.5</li> </ul>
NON-IMPACT	FLANGE: 74" x 63"	2¾"	+90	-150	13.5 psf	0.21 @ 1.57	<ul style="list-style-type: none"> <li>• 3/16" Monolithic (Tempered)</li> <li>• ¼" Monolithic (Tempered)</li> </ul>	<ul style="list-style-type: none"> <li>• Miami-Dade NOA: 07-0829.09</li> <li>• Florida Product Approval: FL-242</li> <li>• Forced Entry Resistance: AAMA 1302.5</li> </ul>



# PICTURE WINDOWS 800 SERIES

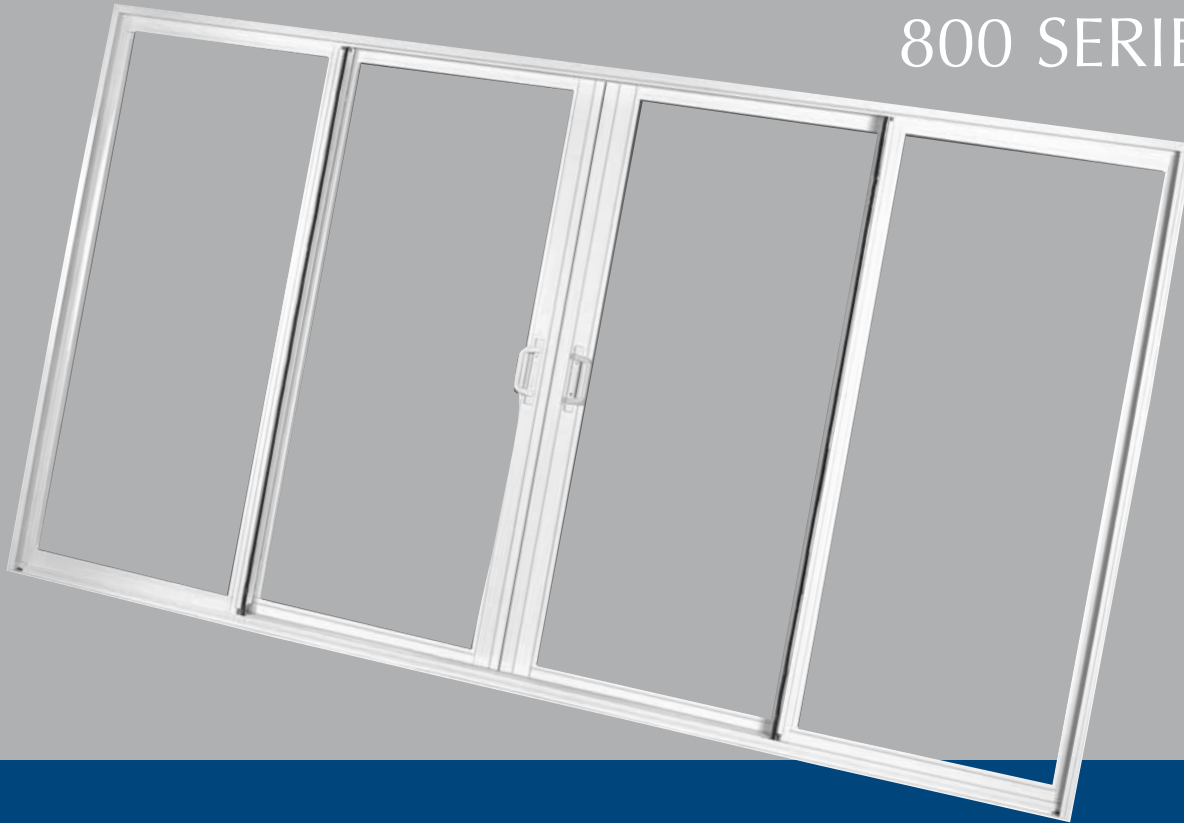
## FEATURES & BENEFITS

- Available with flange or equal leg frame
- Large sizes available for expansive view:  
97" x 49" flange frame and 48" x 96" equal leg frame
- Flange frame can be mullied with  
single hung or horizontal roller
- 2<sup>3</sup>/<sub>4</sub>" nominal frame depth

## PRODUCT SPECIFICATIONS - PW820

TEST TYPE	FRAME TYPE & MAXIMUM SIZE	FRAME DEPTH	POSITIVE DESIGN PRESSURE	NEGATIVE DESIGN PRESSURE	WATER RESISTANCE	AIR INFILTRATION	GLAZING	TESTS COMPLETED
LARGE MISSILE	FLANGE: 97" x 49" EQUAL LEG: 48" x 96"	2 <sup>3</sup> / <sub>4</sub> "	+90	-110	13.5 psf	0.05 @ 6.24	<ul style="list-style-type: none"> <li>• 7/16" PVB Laminated (Heat Strengthened/Heat Strengthened)</li> <li>• 9/16" SGP Laminated (Heat Strengthened/Heat Strengthened)</li> </ul>	<ul style="list-style-type: none"> <li>• Miami-Dade NOA: 08-0429.08</li> <li>• Florida Product Approval: FL-243</li> </ul>
SMALL MISSILE	FLANGE: 97" x 49" EQUAL LEG: 48" x 96"	2 <sup>3</sup> / <sub>4</sub> "	+90	-140	13.5 psf	0.06 @ 6.24 0.05 @ 6.24	<ul style="list-style-type: none"> <li>• 7/16" PVB Laminated (Tempered/Tempered)</li> </ul>	<ul style="list-style-type: none"> <li>• Miami-Dade NOA: 08-0429.09</li> <li>• Florida Product Approval: FL-243</li> </ul>
NON-IMPACT	FLANGE: 97" x 49" EQUAL LEG: 48" x 96"	2 <sup>3</sup> / <sub>4</sub> "	+110	-140	16.5 psf	0.05 @ 6.24	<ul style="list-style-type: none"> <li>• 3/16" Monolithic (Tempered)</li> <li>• 1/4" Monolithic (Tempered)</li> <li>• 3/8" Monolithic (Tempered)</li> </ul>	<ul style="list-style-type: none"> <li>• Miami-Dade NOA: 08-0429.10</li> <li>• Florida Product Approval: FL-243</li> </ul>

# SLIDING GLASS DOORS 800 SERIES



## FEATURES & BENEFITS

- Multi-panel sliding glass doors up to 9' tall
- Stainless steel mortise lock for adjustability, strength and security
- Adjustable stainless steel tandem roller system for smooth operation
- Fully weatherstripped deep integral panel interlocks and door frame provides tight seal against wind and water
- Deluxe, heavy-duty extruded screen panel with flush latch lock and stainless steel roller assembly
- 4<sup>5</sup>/<sub>16</sub>" frame depth, or 5<sup>3</sup>/<sub>8</sub>" frame depth with optional screen track
- Interlock system provides exceptional strength and wind load protection
- Custom key lock available

## PRODUCT SPECIFICATIONS - SGD830

TEST TYPE	FRAME TYPE & MAXIMUM SIZE	FRAME DEPTH	POSITIVE DESIGN PRESSURE	NEGATIVE DESIGN PRESSURE	WATER RESISTANCE	AIR INFILTRATION	GLAZING	TESTS COMPLETED
LARGE MISSILE	OX or XO: 96" x 108" OXO: 145 <sup>1</sup> / <sub>8</sub> " x 108" OXXO: 191 <sup>3</sup> / <sub>4</sub> " x 108"	4 <sup>5</sup> / <sub>16</sub> "	+90	-110	13.5 psf	0.20 @ 6.24	<ul style="list-style-type: none"> <li>• 7<sup>1</sup>/<sub>16</sub>" PVB Laminated (Heat Strengthened/Heat Strengthened)</li> <li>• 7<sup>1</sup>/<sub>16</sub>" SGP Laminated (Heat Strengthened/Heat Strengthened)</li> <li>• 7<sup>1</sup>/<sub>16</sub>" PVB Laminated (Heat Strengthened/Heat Strengthened)</li> </ul>	<ul style="list-style-type: none"> <li>• Miami-Dade NOA: 07-1212.03</li> <li>• Florida Product Approval: FL-251</li> </ul>
SMALL MISSILE	OX or XO: 96" x 108" OXO: 145 <sup>1</sup> / <sub>8</sub> " x 108" OXXO: 191 <sup>3</sup> / <sub>4</sub> " x 108"	4 <sup>5</sup> / <sub>16</sub> "	+90	-140	13.5 psf	0.20 @ 6.24	<ul style="list-style-type: none"> <li>• 7<sup>1</sup>/<sub>16</sub>" PVB Laminated (Tempered/Tempered)</li> </ul>	<ul style="list-style-type: none"> <li>• Miami-Dade NOA: 07-0511.04</li> <li>• Florida Product Approval: FL-251</li> </ul>
NON-IMPACT	OX or XO: 96" x 108" OXO: 145 <sup>1</sup> / <sub>8</sub> " x 108" OXXO: 191 <sup>3</sup> / <sub>4</sub> " x 108"	4 <sup>5</sup> / <sub>16</sub> "	+90	-140	13.5 psf	0.19 @ 6.24	<ul style="list-style-type: none"> <li>• 3<sup>1</sup>/<sub>16</sub>" Monolithic (Tempered)</li> <li>• 1<sup>1</sup>/<sub>4</sub>" Monolithic (Tempered)</li> <li>• 3<sup>1</sup>/<sub>8</sub>" Monolithic (Tempered)</li> </ul>	<ul style="list-style-type: none"> <li>• Miami-Dade NOA: 07-1212.04</li> <li>• Florida Product Approval: FL-251</li> </ul>



VENICE, FL • SALISBURY, NC • [PGTINDUSTRIES.COM/AS3000](http://PGTINDUSTRIES.COM/AS3000)

© 2008 PGT Industries, Inc.

8/08 MD0100070